



ALUMINIUM FRAMES



CASTALLA
Puertas



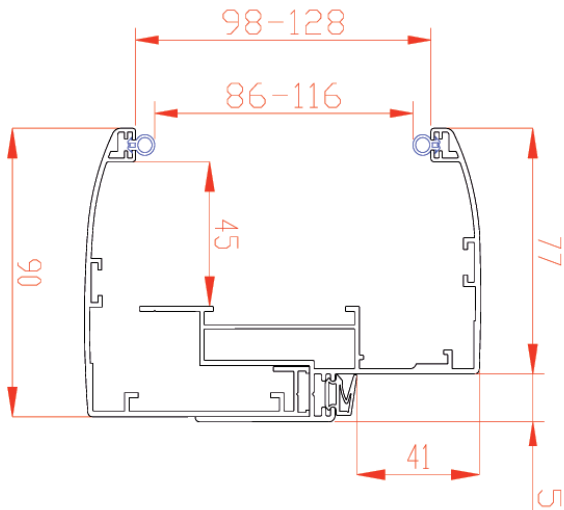
CHARACTERISTICS

Extensible Aluminium Frame. Matt Aluminium finish. Wall thickness from 90 to 230 mm

It is not necessary to locate a wood preframe during assembly. It is completely ready to be installed directly to the partition wall.

The material is protected with a plastic folded film which is stuck along the profile
In prices are included ironmongery as well as hinges Ref. 72IN (4 per frame). Door must have 40mm thickness.





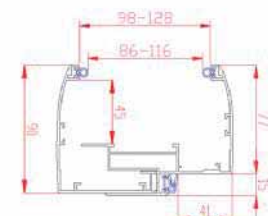
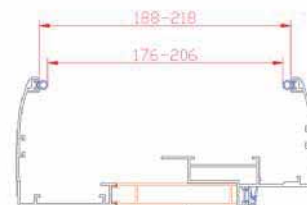
Acoustic Seal

Corner union through three framing squares.

Wall fixation through screws

Adjustable beadings

Extensible system of 30 mm adjustable to wall thickness





Measures

Height	Until 2030	Between 2035 and 2110	Between 2115 and 2200	Between 2205 y 2400
Width	Until 725	Between 730 and 825	Between 830 and 925	Between 930 and 1000
Wall between 90 y 115	400	410	430	450
Wall between 120 y 145	430	440	460	480
Wall between 150 y 175	460	470	490	520
Wall between 180 y 205	460	470	490	520
Wall between 210 y 235	490	500	520	550

Door Measures in mm.



Above prices increase when it is an entrance door. It is included the magnetic latch ref. 22/85 NM

Prices are established according to the most desfavorable measures. For instance, one door with 2030mm and 825 width, the amount will be the measure for width between 730 and 825.

